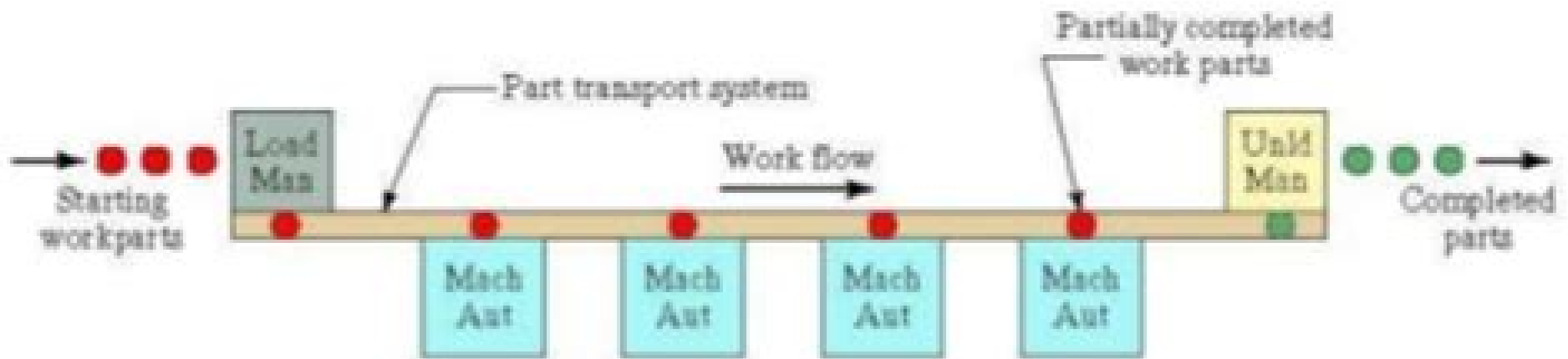
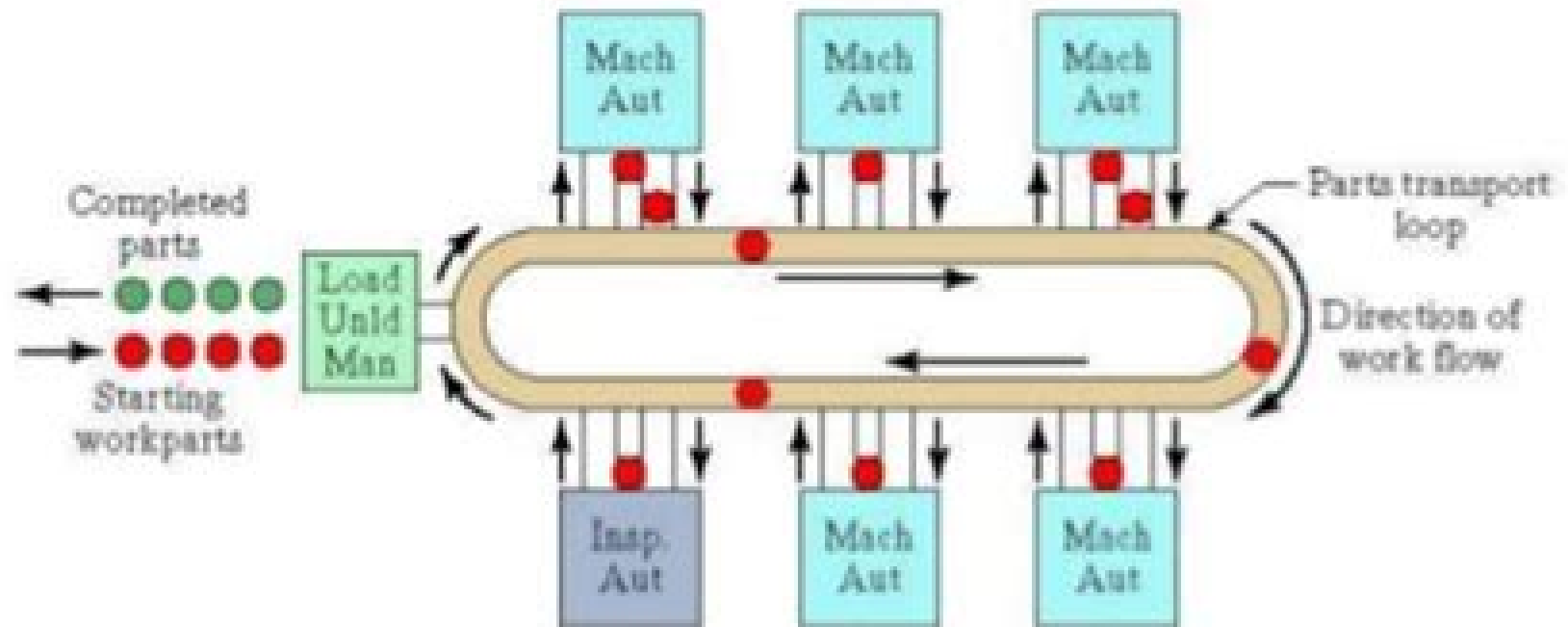


1. Progressive Layout



2. Loop Layout



Implementing Flexible Manufacturing Systems

Jan Beier



Implementing Flexible Manufacturing Systems:

Implementing Flexible Manufacturing Systems Nigel R. Greenwood, 1988 Flexible Manufacturing Systems FMS are computer controlled automated production lines capable of varied outputs they put together computing software robotics manufacturing technology with existing engineering design skills to produce a very flexible system Based on the author's own practical experience this book provides a general insider's appreciation in keeping with current thinking in engineering education which will be suitable for advanced students For the professional engineer it stresses commercial as well as technical considerations

Handbook of Flexible Manufacturing Systems Nand K. Jha, 2012-12-02 This handbook is a compilation of the current practical knowledge of flexible manufacturing systems FMS FMS allow manufacturing plants of all sizes to reduce their inventory while increasing their ability to meet consumer demands By controlling automatic guided vehicles robots and machine tools with one central computer products can now be produced in a variety of styles and models all at the same time FMS are designed to adapt quickly and economically to changes in requirements and to unpredictable events This guide explains how to effectively employ these useful new systems Includes specifications for software to implement simulation modeling Surveys practical applications in the workplace Presents materials in a step by step workbook style

Modeling, Simulation, And Control Of Flexible Manufacturing Systems: A Petri Net Approach Kurapati Venkatesh, Mengchu Zhou, 1999-01-29 One critical barrier leading to successful implementation of flexible manufacturing and related automated systems is the ever increasing complexity of their modeling analysis simulation and control Research and development over the last three decades has provided new theory and graphical tools based on Petri nets and related concepts for the design of such systems The purpose of this book is to introduce a set of Petri net based tools and methods to address a variety of problems associated with the design and implementation of flexible manufacturing systems FMSs with several implementation examples There are three ways this book will directly benefit readers First the book will allow engineers and managers who are responsible for the design and implementation of modern manufacturing systems to evaluate Petri nets for applications in their work Second it will provide sufficient breadth and depth to allow development of Petri net based industrial applications Third it will allow the basic Petri net material to be taught to industrial practitioners students and academic researchers much more efficiently This will foster further research and applications of Petri nets in aiding the successful implementation of advanced manufacturing systems

Flexible Manufacturing System Mr. Rohit Manglik, 2024-07-13 EduGorilla Publication is a trusted name in the education sector committed to empowering learners with high quality study materials and resources Specializing in competitive exams and academic support EduGorilla provides comprehensive and well structured content tailored to meet the needs of students across various streams and levels

Flexible Manufacturing Systems Horst Tempelmeier, Heinrich Kuhn, 1993-10-13 Now this comprehensive and systematic overview of both the design models and quantitative solution methods for FMS support configuration and operation rectifies

that problem Students production managers planners and FMS installation planners can now find everything they need in one authoritative and up to date source

Flexible Manufacturing Systems in Practice Joseph Talavage,2020-09-10 This book has been written for all those interested in flexible manufacturing systems FMS and other forms of computerized manufacturing systems CMS It deals with many aspects of the design operation and simulation of FMS and explains the origins of FMS

Flexible Manufacturing Systems: Recent Developments A. Raouf,M. Ben-Daya,1995-02-09 Flexible Manufacturing Systems FMS involve substituting machines capable of performing a wide and redefinable variety of tasks for machines dedicated to the performance of specific tasks FMS can also be programmed to handle new products thus extending the machines life cycles Thus they represent a change from standardized goods produced by customized machines to customized goods produced by standardized machines This volume contains new and updated material in this field and will be of great interest to researchers managers and students concerned with problems related to flexible manufacturing systems

Optimal Design of Flexible Manufacturing Systems Ulrich A.W. Tetzlaff,2013-03-09 Flexible manufacturing systems are complex production systems with considerable high investment costs This book intends to show the reader how the design of such a system can be optimized Thereby it addresses the academic world in management science and industrial engineering as well as system planners in industry First the design problems are analysed in detail and a planning concept is presented Afterwards possible tools for the design process are described as there are mathematical programming queueing networks computer simulation perturbation analysis petri nets group technology and knowledge based systems The major part of the book however concerns the description of existing optimization models based on mathematical programming Each model is explained and discussed in detail and for new models developed by the author numerical examples are given Finally some distinct guidelines are presented which help the system planners to select the appropriate model for their planning problems

Cooperating Robots for Flexible Manufacturing Sotiris Makris,2020-09-30 This book consolidates the current state of knowledge on implementing cooperating robot based systems to increase the flexibility of manufacturing systems It is based on the concrete experiences of experts practitioners and engineers in implementing cooperating robot systems for more flexible manufacturing systems Thanks to the great variety of manufacturing systems that we had the opportunity to study a remarkable collection of methods and tools has emerged The aim of the book is to share this experience with academia and industry practitioners seeking to improve manufacturing practice While there are various books on teaching principles for robotics this book offers a unique opportunity to dive into the practical aspects of implementing complex real world robotic applications As it is used in this book the term cooperating robots refers to robots that either cooperate with one another or with people The book investigates various aspects of cooperation in the context of implementing flexible manufacturing systems Accordingly manufacturing systems are the main focus in the discussion on implementing such robotic systems The book begins with a brief introduction to the concept of manufacturing systems

followed by a discussion of flexibility Aspects of designing such systems e.g. material flow logistics processing times shop floor footprint and design of flexible handling systems are subsequently covered In closing the book addresses key issues in operating such systems which concern e.g. decision making autonomy cooperation communication task scheduling motion generation and distribution of control between different devices Reviewing the state of the art and presenting the latest innovations the book offers a valuable asset for a broad readership

Simulation Approach Towards Energy Flexible Manufacturing Systems Jan Beier, 2017-03-23 This authored monograph provides in depth analysis and methods for aligning electricity demand of manufacturing systems to VRE supply The book broaches both long term system changes and real time manufacturing execution and control and the author presents a concept with different options for improved energy flexibility including battery compressed air and embodied energy storage The reader will also find a detailed application procedure as well as an implementation into a simulation prototype software The book concludes with two case studies The target audience primarily comprises research experts in the field of green manufacturing systems

Planning the Implementation of an Iconic Flexible Manufacturing Systems (FMS) in an Establishment of Further Education Michael Thomas, 1988

Computer control of flexible manufacturing systems S. Joshi, J.S. Smith, 2012-12-06 With the approach of the 21st century and the current trends in manufacturing the role of computer controlled flexible manufacturing an integral part in the success of manufacturing enterprises will take Manufacturing environments are changing to small batch with batch sizes diminishing to a quantity of one larger product variety production on demand with low lead times with the ability to be agile This is in stark contrast to conventional manufacturing which has relied on economies of scale and where change is viewed as a disruption and is therefore detrimental to production Computer integrated manufacturing CIM and flexible manufacturing practices are a key component in the transition from conventional manufacturing to the new manufacturing environment While the use of computers in manufacturing from controlling individual machines NC Robots AGVs etc to controlling flexible manufacturing systems FMS has advanced the flexibility of manufacturing environments it is still far from reaching its full potential in the environment of the future Great strides have been made in individual technologies and control of FMS has been the subject of considerable research but computerized shop floor control is not nearly as flexible or integrated as hyped in industrial and academic literature In fact the integrated systems have lagged far behind what could be achieved with existing technology

Flexible Manufacturing Systems Reza A. Maleki, 1991 Geared to managers and technical personnel this book explains the component technologies of Flexible Management Systems FMS and explores their relationship with each other and as a whole The author discusses robotics programmable logic controllers and automatic guided vehicles

Proceedings of the 5th International Conference on Flexible Manufacturing Systems Keith Rathmill, 2013-11-27

[Industrial Production Management in Flexible Manufacturing Systems](#) Dima, Ioan Constantin, 2013-01-31 Industrial Production Management in Flexible Manufacturing Systems addresses the present

discussions surrounding flexible production systems based on automation robotics and cybernetics as they continue to replace the traditional production systems The book also covers issues related to the use of multi servicing in the operational management of the industrial production and its scheduling systems *The Flexible Enterprise* Sushil,Edward A. Stohr,2013-11-19 The need for enterprise flexibility in an era of rapidly advancing technology increasing competition and globalization is apparent Flexibility can be thought of as an ability of the enterprise to quickly and efficiently respond to market changes and to bring new products and services quickly to the market place Beyond this definition a truly flexible enterprise should proactively change the market through its ability to create new and innovative products and services The proposed book is intended to provide a conceptual framework of Flexible Enterprise supported by researches case applications in various types of flexibilities exhibited by a flexible enterprise The selected papers from a variety of issues concerning the planning and operation of a flexible enterprise are organized into following four parts I Enterprise and Strategic Flexibility II Organizational Flexibility III Business Process and Information Systems Flexibility IV Operations Flexibility Skill Based Automated Manufacturing P. Brödner,2014-05-23 This volume investigates the relationship between man and the computer and how far they are integrated in the modern industrial world The effects and changes computers have brought about are discussed including a look at job structures the function of CAD training and the design and implementation of control systems in engineering industries to give a comprehensive overview of the computer revolution and its future in society **CAD/CAM** Kuldeep Sareen | Chandandeep Grewal,2008 CAD CAM Shop Floor Control Systems A. Bauer,J. Browne,R. Bowden,J. Duggan,2012-12-06 In recent years there has been a tremendous upsurge of interest in manufac turing systems design and analysis Large industrial companies have realized that their manufacturing facilities can be a source of tremendous opportunity if managed well or a huge corporate liability if managed poorly In particular industrial managers have realized the potential of well designed and installed production planning and control systems Manufacturing in an environment of short product life cycles and increasing product diversity looks to tech niques such as manufacturing resource planning Just In Time IIT and total quality control among others to meet the challenge Customers are demanding high quality products and very fast turn around on orders Manufacturing personnel are aware of the lead time from receipt of order to delivery of completed orders at the customer s premises It is clear that this production lead time is for the majority of manufacturing firms greatly in excess of the actual processing or manufacturing time There are many reasons for this among them poor coordination between the sales and manufacturing function Some are within the control of the manufacturing function Others are not *Reconfigurable Manufacturing Systems: From Design to Implementation* Lyes Benyoucef,2019-10-19 This book develops innovative techniques from operational research and management science for the design and implementation of a reconfigurable manufacturing system RMS and subsequently analyzes and assesses their performance A reconfigurable manufacturing system RMS is a paradigm that can address many

of the challenges posed by the modern market Accordingly substantial research is now being conducted on RMS focusing on various levels of decision making strategic tactical and operational However as a relatively new research area there are still only very few books and articles available on reconfigurable manufacturing system design and management In addition to filling that gap this book provides a forum for investigating exchanging ideas on and disseminating the latest advances in the broad area of RMS applications in today s industry Gathering contributions by experts from academia industry and policy making it represents an essential contribution to the existing literature on manufacturing and logistics in general and industry 4 0 in particular

Unveiling the Magic of Words: A Review of "**Implementing Flexible Manufacturing Systems**"

In a world defined by information and interconnectivity, the enchanting power of words has acquired unparalleled significance. Their capability to kindle emotions, provoke contemplation, and ignite transformative change is really awe-inspiring. Enter the realm of "**Implementing Flexible Manufacturing Systems**," a mesmerizing literary masterpiece penned by a distinguished author, guiding readers on a profound journey to unravel the secrets and potential hidden within every word. In this critique, we shall delve in to the book is central themes, examine its distinctive writing style, and assess its profound impact on the souls of its readers.

https://webhost.bhasd.org/files/publication/HomePages/Heartbreak_Trail_Heartsong_Presents.pdf

Table of Contents Implementing Flexible Manufacturing Systems

1. Understanding the eBook Implementing Flexible Manufacturing Systems
 - The Rise of Digital Reading Implementing Flexible Manufacturing Systems
 - Advantages of eBooks Over Traditional Books
2. Identifying Implementing Flexible Manufacturing Systems
 - Exploring Different Genres
 - Considering Fiction vs. Non-Fiction
 - Determining Your Reading Goals
3. Choosing the Right eBook Platform
 - Popular eBook Platforms
 - Features to Look for in an Implementing Flexible Manufacturing Systems
 - User-Friendly Interface
4. Exploring eBook Recommendations from Implementing Flexible Manufacturing Systems
 - Personalized Recommendations
 - Implementing Flexible Manufacturing Systems User Reviews and Ratings
 - Implementing Flexible Manufacturing Systems and Bestseller Lists

5. Accessing Implementing Flexible Manufacturing Systems Free and Paid eBooks
 - Implementing Flexible Manufacturing Systems Public Domain eBooks
 - Implementing Flexible Manufacturing Systems eBook Subscription Services
 - Implementing Flexible Manufacturing Systems Budget-Friendly Options
6. Navigating Implementing Flexible Manufacturing Systems eBook Formats
 - ePub, PDF, MOBI, and More
 - Implementing Flexible Manufacturing Systems Compatibility with Devices
 - Implementing Flexible Manufacturing Systems Enhanced eBook Features
7. Enhancing Your Reading Experience
 - Adjustable Fonts and Text Sizes of Implementing Flexible Manufacturing Systems
 - Highlighting and Note-Taking Implementing Flexible Manufacturing Systems
 - Interactive Elements Implementing Flexible Manufacturing Systems
8. Staying Engaged with Implementing Flexible Manufacturing Systems
 - Joining Online Reading Communities
 - Participating in Virtual Book Clubs
 - Following Authors and Publishers Implementing Flexible Manufacturing Systems
9. Balancing eBooks and Physical Books Implementing Flexible Manufacturing Systems
 - Benefits of a Digital Library
 - Creating a Diverse Reading Collection Implementing Flexible Manufacturing Systems
10. Overcoming Reading Challenges
 - Dealing with Digital Eye Strain
 - Minimizing Distractions
 - Managing Screen Time
11. Cultivating a Reading Routine Implementing Flexible Manufacturing Systems
 - Setting Reading Goals Implementing Flexible Manufacturing Systems
 - Carving Out Dedicated Reading Time
12. Sourcing Reliable Information of Implementing Flexible Manufacturing Systems
 - Fact-Checking eBook Content of Implementing Flexible Manufacturing Systems
 - Distinguishing Credible Sources
13. Promoting Lifelong Learning

- Utilizing eBooks for Skill Development
 - Exploring Educational eBooks
14. Embracing eBook Trends
- Integration of Multimedia Elements
 - Interactive and Gamified eBooks

Implementing Flexible Manufacturing Systems Introduction

In this digital age, the convenience of accessing information at our fingertips has become a necessity. Whether its research papers, eBooks, or user manuals, PDF files have become the preferred format for sharing and reading documents. However, the cost associated with purchasing PDF files can sometimes be a barrier for many individuals and organizations. Thankfully, there are numerous websites and platforms that allow users to download free PDF files legally. In this article, we will explore some of the best platforms to download free PDFs. One of the most popular platforms to download free PDF files is Project Gutenberg. This online library offers over 60,000 free eBooks that are in the public domain. From classic literature to historical documents, Project Gutenberg provides a wide range of PDF files that can be downloaded and enjoyed on various devices. The website is user-friendly and allows users to search for specific titles or browse through different categories. Another reliable platform for downloading Implementing Flexible Manufacturing Systems free PDF files is Open Library. With its vast collection of over 1 million eBooks, Open Library has something for every reader. The website offers a seamless experience by providing options to borrow or download PDF files. Users simply need to create a free account to access this treasure trove of knowledge. Open Library also allows users to contribute by uploading and sharing their own PDF files, making it a collaborative platform for book enthusiasts. For those interested in academic resources, there are websites dedicated to providing free PDFs of research papers and scientific articles. One such website is Academia.edu, which allows researchers and scholars to share their work with a global audience. Users can download PDF files of research papers, theses, and dissertations covering a wide range of subjects. Academia.edu also provides a platform for discussions and networking within the academic community. When it comes to downloading Implementing Flexible Manufacturing Systems free PDF files of magazines, brochures, and catalogs, Issuu is a popular choice. This digital publishing platform hosts a vast collection of publications from around the world. Users can search for specific titles or explore various categories and genres. Issuu offers a seamless reading experience with its user-friendly interface and allows users to download PDF files for offline reading. Apart from dedicated platforms, search engines also play a crucial role in finding free PDF files. Google, for instance, has an advanced search feature that allows users to filter results by file type. By specifying the file type as "PDF," users can find websites that offer free PDF downloads on a specific topic. While downloading Implementing Flexible

Manufacturing Systems free PDF files is convenient, its important to note that copyright laws must be respected. Always ensure that the PDF files you download are legally available for free. Many authors and publishers voluntarily provide free PDF versions of their work, but its essential to be cautious and verify the authenticity of the source before downloading Implementing Flexible Manufacturing Systems. In conclusion, the internet offers numerous platforms and websites that allow users to download free PDF files legally. Whether its classic literature, research papers, or magazines, there is something for everyone. The platforms mentioned in this article, such as Project Gutenberg, Open Library, Academia.edu, and Issuu, provide access to a vast collection of PDF files. However, users should always be cautious and verify the legality of the source before downloading Implementing Flexible Manufacturing Systems any PDF files. With these platforms, the world of PDF downloads is just a click away.

FAQs About Implementing Flexible Manufacturing Systems Books

How do I know which eBook platform is the best for me? Finding the best eBook platform depends on your reading preferences and device compatibility. Research different platforms, read user reviews, and explore their features before making a choice. Are free eBooks of good quality? Yes, many reputable platforms offer high-quality free eBooks, including classics and public domain works. However, make sure to verify the source to ensure the eBook credibility. Can I read eBooks without an eReader? Absolutely! Most eBook platforms offer webbased readers or mobile apps that allow you to read eBooks on your computer, tablet, or smartphone. How do I avoid digital eye strain while reading eBooks? To prevent digital eye strain, take regular breaks, adjust the font size and background color, and ensure proper lighting while reading eBooks. What the advantage of interactive eBooks? Interactive eBooks incorporate multimedia elements, quizzes, and activities, enhancing the reader engagement and providing a more immersive learning experience. Implementing Flexible Manufacturing Systems is one of the best book in our library for free trial. We provide copy of Implementing Flexible Manufacturing Systems in digital format, so the resources that you find are reliable. There are also many Ebooks of related with Implementing Flexible Manufacturing Systems. Where to download Implementing Flexible Manufacturing Systems online for free? Are you looking for Implementing Flexible Manufacturing Systems PDF? This is definitely going to save you time and cash in something you should think about. If you trying to find then search around for online. Without a doubt there are numerous these available and many of them have the freedom. However without doubt you receive whatever you purchase. An alternate way to get ideas is always to check another Implementing Flexible Manufacturing Systems. This method for see exactly what may be included and adopt these ideas to your book. This site will almost certainly help you save time and effort, money and stress. If you are looking for free books then you really should consider finding to assist you try

this. Several of Implementing Flexible Manufacturing Systems are for sale to free while some are payable. If you arent sure if the books you would like to download works with for usage along with your computer, it is possible to download free trials. The free guides make it easy for someone to free access online library for download books to your device. You can get free download on free trial for lots of books categories. Our library is the biggest of these that have literally hundreds of thousands of different products categories represented. You will also see that there are specific sites catered to different product types or categories, brands or niches related with Implementing Flexible Manufacturing Systems. So depending on what exactly you are searching, you will be able to choose e books to suit your own need. Need to access completely for Campbell Biology Seventh Edition book? Access Ebook without any digging. And by having access to our ebook online or by storing it on your computer, you have convenient answers with Implementing Flexible Manufacturing Systems To get started finding Implementing Flexible Manufacturing Systems, you are right to find our website which has a comprehensive collection of books online. Our library is the biggest of these that have literally hundreds of thousands of different products represented. You will also see that there are specific sites catered to different categories or niches related with Implementing Flexible Manufacturing Systems So depending on what exactly you are searching, you will be able to choose ebook to suit your own need. Thank you for reading Implementing Flexible Manufacturing Systems. Maybe you have knowledge that, people have search numerous times for their favorite readings like this Implementing Flexible Manufacturing Systems, but end up in harmful downloads. Rather than reading a good book with a cup of coffee in the afternoon, instead they juggled with some harmful bugs inside their laptop. Implementing Flexible Manufacturing Systems is available in our book collection an online access to it is set as public so you can download it instantly. Our digital library spans in multiple locations, allowing you to get the most less latency time to download any of our books like this one. Merely said, Implementing Flexible Manufacturing Systems is universally compatible with any devices to read.

Find Implementing Flexible Manufacturing Systems :

[heartbreak trail heartsong presents](#)

[health promotion strategies and methods](#)

heat capacity and thermal expansion at low temperatures

heat and its uses

[healthy and productive work an international perspective](#)

[healthdesk pers wellness software](#)

[hearts in turmoil](#)

[hearing aid handbook](#)

healthy soy cooking with soybeans for health and vitality
heart gifts

healthy crockery cookery

heart-shaped box

heart clinic

health promotion professional perspectives pb

heat fearless hardcover

Implementing Flexible Manufacturing Systems :

das jäger kochbuch regionalia verlag amazon de bücher - Sep 15 2023

web was mit der jagd begann vollendet sich an der tafel stellen sie sich vor sie befinden sich in der küche eines jäger oder försterhaushalts es duftet nach frischen pilzen und

das jäger kochbuch 9783939722663 boeken bol com - Apr 29 2022

web das jäger kochbuch hardcover ga naar zoeken ga naar hoofdinhoud lekker winkelen zonder zorgen gratis verzending vanaf 20 bezorging dezelfde dag s avonds of in het

der jaga und der koch unser wild kennen verstehen und - Aug 02 2022

web der jaga und der koch unser wild kennen verstehen und genießen meisinger werner burgstaller christoph obauer rudolf walcher armin tobias moretti amazon de

das jäger kochbuch bbq love - Jan 27 2022

web das jäger kochbuch hauptkategorien lektüre geeignet für anfänger profi wo gibt es das jäger kochbuch am günstigsten 7 95 zum shop 7 95

das jäger kochbuch bok 9783939722663 bokus - May 31 2022

web köp das jäger kochbuch skickas inom 3 6 vardagar fri frakt över 199 kr välkommen till bokus bokhandel

das jäger kochbuch buch gebraucht antiquarisch neu - Jun 12 2023

web stationen eines glücklichen jägerlebens ein neues buch vor das viel mehr ist als einfach ein jagdbuch wie kaum ein anderer versteht es der autor eine ganze epoche und ihre

der jaga und der koch buch empfehlung bauernjäger - Dec 26 2021

web apr 22 2019 interessante authentische informationen aus professioneller jägerhand über das gesündeste und wohl älteste nahrungsmittel der menschheit unser wild ein buch

das jäger kochbuch 1 st shop apotheke com - Feb 25 2022

web das jäger kochbuch 1 st für nur 7 95 bei ihrer online apotheke für deutschland kaufen

[amazon de kundenrezensionen das jäger kochbuch](#) - Apr 10 2023

web finde hilfreiche kundenrezensionen und rezensionsbewertungen für das jäger kochbuch auf amazon de lese ehrliche und unvoreingenommene rezensionen von unseren

[das jäger kochbuch von buch 978 3 939722 66](#) - Aug 14 2023

web feb 5 2021 beschreibung was mit der jagd begann vollendet sich an der tafel stellen sie sich vor sie befinden sich in der küche eines jäger oder försterhaushalts es

[das jäger kochbuch 9783939722663 amazon com books](#) - Nov 05 2022

web aug 1 2012 das jäger kochbuch on amazon com free shipping on qualifying offers das jäger kochbuch

[das jäger kochbuch buchhandlung eva de](#) - Sep 03 2022

web was mit der jagd begann vollendet sich an der tafel stellen sie sich vor sie befinden sich in der küche eines jäger oder försterhaushalts es duftet nach frischen pilzen und

[das jäger kochbuch deutsche digitale bibliothek](#) - Oct 04 2022

web de en schließen die deutsche digitale bibliothek erforschen aktuell 44 929 040 objekte standard suche standard erweiterte suche erweitert stöbern objekte personen

[das jäger kochbuch wir in günzburg](#) - Mar 29 2022

web das jäger kochbuch jetzt online kaufen bei atalanda im geschäft in günzburg vorrätig online bestellen versandkostenfrei ab 49 00

das jäger kochbuch weltbild - Feb 08 2023

web bücher bei weltbild jetzt das jäger kochbuch versandkostenfrei online kaufen per rechnung bezahlen bei weltbild ihrem bücher spezialisten lagerräumung 10 ¹

das jäger kochbuch bei lovelybooks kochen und genießen - Mar 09 2023

web feb 5 2021 was mit der jagd begann vollendet sich an der tafelstellen sie sich vor sie befinden sich in der küche eines jäger oder försterhaushalts es duftet

[jaguar kitap](#) - Nov 24 2021

web jaguar kitap 90 212 5229422 iletisim jaguar kitap com dosya göndermek isteyenlerin dikkatine Şimdilik yeni dosya alamıyoruz teşekkür ederiz

suchergebnis auf amazon de für kochbuch jäger - Jul 01 2022

web suchergebnis auf amazon de für kochbuch jäger zum hauptinhalt wechseln de hallo lieferadresse wählen alle de hallo anmelden konto und listen warenrücksendungen

jaguar netflix resmi sitesi - Oct 24 2021

web jaguar 2021 yetişkinlik düzeyi 16 1 sezon action 1960 larda holokost tan kurtulan bir kadın 2 dünya savaşı sonrasında saklanmak için İspanya ya kaçan nazilere karşı

jäger kochen wild Lieblingsrezepte und anekdoten - May 11 2023

web jäger kochen wild Lieblingsrezepte und anekdoten leidenschaftlicher jäger gebundene ausgabe 1 september 2012 von lisa lensing autor paul lensing autor joseph

9783939722663 das jäger kochbuch regionalia verlag - Dec 06 2022

web das jäger kochbuch finden sie alle bücher von regionalia verlag bei der büchersuchmaschine eurobuch com können sie antiquarische und neubücher

jÄgerkochbuch 73 rezepte für fantasievolle - Jul 13 2023

web jÄgerkochbuch 73 rezepte für fantasievolle köstlichkeiten aus wald teich und flur 12 95 7 nur noch 2 auf lager mehr ist unterwegs gerlinde götze 96 seiten mit 20

das jäger kochbuch neukirchener verlage de - Jan 07 2023

web was mit der jagd begann vollendet sich an der tafel stellen sie sich vor sie befinden sich in der küche eines jäger oder försterhaushalts es duftet nach frischen pilzen und

1 vivo sin vivir en mí teresa de Ávila - Mar 09 2023

web 1 vivo sin vivir en mí vivo sin vivir en mí y tan alta vida espero que muero porque no muero vivo ya fuera de mí después que muero de amor porque vivo en el señor que me quiso para sí cuando el corazón le di

vivo sin vivir en mí lyrics translate - Jul 13 2023

web original lyrics vivo sin vivir en mí vivo sin vivir en mí y tan alta vida espero que muero porque no muero vivo ya fuera de mí después que muero de amor porque vivo en el señor que me quiso para sí cuando el corazón le di puso en él este letrero que muero porque no muero esta divina prisión del amor en que yo vivo

vivo sin vivir en mí youtube - Mar 29 2022

web oct 2 2013 vivo ya fuera de mí después que muero de amor porque vivo en el señor que me quiso para sí cuando el corazón le dipuso en él este letrero que muero porque no

tan alta vida amazon in books - Nov 05 2022

web select the department you want to search in

análisis y juicio crítico de arte por josé zárata análisis poema - Jan 27 2022

web 1 transcripción del poema vivo sin vivir en mí y tan alta vida espero que muero porque no muero vivo ya fuera de mí después que muero de amor porque vivo en el señor que me quiso para sí cuando el corazón le di puse en él este letrero que

muero porque no muero esta divina prisión del amor con que yo vivo ha hecho a dios mi cautivo
vivo sin vivir en mí santa teresa de Ávila ciudad seva - Sep 22 2021

web vivo sin vivir en mí y tan alta vida espero que muero porque no muero vivo ya fuera de mí después que muero de amor porque vivo en el señor que me quiso para sí cuando el corazón le di puso en mí este letrado que muero porque no muero
op dr altay tandoğan görüşleri incele ve randevu al - Nov 24 2021

web adres eroğlan mah Çanakkale yolu cad halis akıllıoğlu evleri a blok no 103 1 kat 2 d 11 balıkesir op dr altay tandoğan kliniği bu adres için online randevu takvimi mevcut değil sigortasız hastalar kabul edilen yaş grubu yetişkin kalp ve damar cerrahisi randevusu aortik kalp anevrizma cerrahisi
altan tan kimdir altan tan hayatı ve biyografisi haberler - Jul 01 2022

web altan tan kimdir diye merak ediyorsanız doğru sayfadasınız altan tan hayatı ve biyografisi hakkında bilgi almak ve altan tan ile ilgili haberleri okumak için tıklayın

santa teresa de jesús muero porque no muero - Jun 12 2023

web villancico muero porque no muero vivo sin vivir en mí c 1572 1577 vivo sin vivir en mí y tan alta vida espero que muero porque no muero vivo ya fuera de mí después que muero de amor porque vivo en el señor que me quiso para sí cuando el corazón le di

y tan alta vida espero cipecar - Dec 06 2022

web dec 3 2019 y tan alta vida espero habla teresa y así me parece que nunca me vi en pena después que estoy determinada a servir con todas mis fuerzas a este señor y consolador mío no me parece hay para qué vivir sino para esto y lo que más de voluntad pido a dios v 40 20

tan alta vida by sastre santiago speakings gestamp - Dec 26 2021

web may 15 2023 y tan alta vida espero que muero porque no muero glosa que esta divina unión del amor con que yo vivo hace a dios ser mi cautivo y libre mi corazón más causa en mi tal pasión ver a dios mi prisionero que muero porque no muero
diferencia entre paradoja antítesis y oxímoron comentario de - Feb 25 2022

web feb 27 2021 definición de antítesis o contraste para que se produzca contraste basta con que aparezcan próximos o consecutivos elementos que se opongan o sea que uno sea el contrario del otro siempre que se cumpla este requisito estaremos ante un caso de antítesis ejemplos

altan tan kimdir eşi ve çocukları internet haber - May 31 2022

web feb 1 2019 altan tan batman doğumlu olsa da aslen mardinli dir peki altan tan kimdir kürt kökenli mi eşi ve çocukları hakkında merak edilenler bist 8 338 dolar 26 84 euro 28 76 altın 1 654 49

tan alto tan lejos youtube - Oct 24 2021

web provided to youtube by the orchard enterprisestan alto tan lejos playa limboel tren de la vida 2012 promotodo méxico s a de c v released on 2018 06 22p

tan alta vida sql gocohospitality com - Feb 08 2023

web tan alta vida 1 tan alta vida knowledge and practical reason women poets of spain 1860 1990 gabriela mistral s struggle with god and man santa teresa hours with the mystics a contribution to the history of religious opinion revised by the author a spanish anthology a collection of lyrics from the thirteenth century down to the present time

cancionero pastoral de música - Jan 07 2023

web do sol 7 si m vivo sin vivir en mi fa sol 7 do y tan alta vida espero fa sol 7 do la m que muero porque no muero re m sol 7 do vivo sin vivir en mi esta divina prisión del amor con que yo vivo ha hecho a dios mi cautivo y libre mi corazón y causa en mí tal pasión ver a dios mi prisionero que muero porque no muero

vivo sin vivir en mi san juan de la cruz espoesía - Aug 02 2022

web poesía española san juan de la cruz 1542 1591 vivo sin vivir en mi san juan de la cruz vivo sin vivir en mí y tan alta vida espero que muero porque no muero vivo ya fuera de mí después que muero de amor porque vivo en el señor que me quiso para sí cuando el corazón le di puso en él este letrado que muero porque no muero

altan tan kimdir yeni akit - Apr 29 2022

web altan tan kimdir altan tan 11 eylül 1958 tarihinde batman da doğdu politik yaşamının yanı sıra yeni gündem yeni Şafak zaman Özgür politika Özgün duruş star gibi gazetelerde köşe yazarlığı yaptı

vivo sin vivir en mí santa teresa de jesús poemario - Apr 10 2023

web vivo sin vivir en mí es un poema que consta de cinco estrofas de las cuales la primera tiene tres versos y las demás siete forman un total de treinta y un versos octosílabos que presentan la forma de estribillo y mudanza propia de un villancico

2 conexión de la canción y el texto literario unidades - Oct 04 2022

web el poema se incluye dentro de la corriente mística vamos a empezar por fijarnos en el segundo verso y tan alta vida espero a qué crees que se refiere la expresión

tan alta vida libro del 2015 escrito por santiago sastre isbn - Sep 03 2022

web dec 31 2015 tan alta vida es una libro escrito por santiago sastre descubre todos los libros de libros literatura teatro teatro contemporáneo español del xix al xxi en la vanguardia

vivo sin vivir en mí de teresa de jesús poemas sentidos - Aug 14 2023

web vivo sin vivir en mí de teresa de jesús vivo sin vivir en mí y tan alta vida espero que muero porque no muero vivo ya fuera de mí después que muero de amor porque vivo en el señor que me quiso para sí cuando el corazón le di

vivo sin vivir en mí por santa teresa de jesús poeticous - May 11 2023

web vivo sin vivir en mí vivo sin vivir en mí y tan alta vida espero que muero porque no muero vivo ya fuera de mí después que muero de amor porque vivo en el señor que me quiso para sí cuando el corazón le di

230 top making inferences teaching resources curated for you twinkl - Jan 22 2023

web making inferences organizer activity for 3rd 5th grade making inferences matching game for k 2nd grade making inferences informational poster for 3rd 5th grade chinese new year making inferences worksheet 5 0 2 reviews making inferences activity sheets for 3rd 5th grade

making inferences worksheets and resources 3rd grade ela - Mar 24 2023

web making inferences activity sheets for 3rd 5th grade main idea task cards 5 0 41 reviews inferring character traits activity 5 0 9 reviews character analysis discussion cards 4 9 8 reviews context clues task cards for 3rd 5th grade 4 7 20 reviews third grade making inferences challenge cards

making inferences worksheets and resources 3rd grade ela - May 26 2023

web check out our making inferences worksheets powerpoints activity cards posters and much more aimed at this part of third grade ela reading comprehension

making inferences ppt slideshare - Feb 11 2022

web making inferences download as a pdf or view online for free making inferences download as a pdf or view online for free author s purpose for third grade gherm6 5 1k views making inferences for fourth grade gherm6 12 8k views making predictions cher rish 2 8k views persuasive writing lesson powerpoint

inferences powerpoint reading between the lines tpt - Aug 17 2022

web description inferences powerpoint reading between the lines this interactive powerpoint show contains 21 animated slides with modeled and guided practice perfect for introducing making inferences to your students please note that this is a powerpoint show and is not editable

draw conclusions and make inferences google slides - Dec 21 2022

web pick 4 resources to learn about draw conclusions make inferences complete the exit ticket at the end of the playlist click here to play a rags to riches game for drawing conclusions watch

powerpoint making inferences and drawing conclusions sas pdesas org - Feb 23 2023

web this power point presentation helps student to understand how to make inferences and draw conclusions when reading text this web based lesson is appropriate for grade level s 3 studyzone org

powerpoint presentation making inferences winston - Aug 29 2023

web 0 making inferences inference sometimes a writer will leave certain details out of a story to make it more dramatic or humorous in these cases it is up to the reader to draw his her own conclusion based on the information given these

conclusions are known as inferences 0 how to make an inference use what you read about the characters and

making inferences ppt lesson ppt slideshare - Apr 13 2022

web mar 20 2012 making inferences ppt lesson 1 making inferences april 5 2011 taks reading blitz 2 how do you make an inference 3 how do you make inferences take what you see textual visual evidence add it to what you already know prior knowledge making an inference includes

results for making inferences grade 3 ppt - Mar 12 2022

web making inferences task cards for 3rd grade students will practice making inferences inferring key ideas inferring author s purpose and analyzing text evidence these task cards are perfect for celebrating hispanic heritage month as they highlight the life and career of supreme court justice sonia maria sotomayor students will learn to draw

reading skills making and understanding inferences powerpoint - Jun 27 2023

web powerpoint click the link to open the presentation in view mode then download and save the file once you have downloaded the ppt you will be able to enable editing twinkl usa 3rd 5th third grade english language arts reading comprehension making inferences

search printable 3rd grade making inference worksheets - Nov 20 2022

web making inferences is a critical skill for young readers to master as it helps them look beyond the words on the page to figure out the author s message use these simple sentences to get your students started in making their own inferences

third grade grade 3 making inferences and drawing conclusions - May 14 2022

web tim never makes his bed grade 3 making inferences and drawing conclusions jessie is going to read a story about a hungry lion and a hungry lamb who become friends while reading jessie concludes that the lion is going to eat the lamb because the text says that the lion is hungry

powerpoint presentation making inferences henry county schools - Jul 16 2022

web making inferences miss white inference take what you know and make a guess draw personal meaning from text words or pictures powerpoint presentation making inferences author ashley white last modified by adrienne created date 10 25 2008 10 16 49 pm document presentation format on screen show 4 3 company ashley white

third grade making inferences powerpoint google slides - Jul 28 2023

web challenge your students with our third grade making inferences activity powerpoint google slides download and present students with text scenarios followed by inferential questions this presentation can be used to help develop greater inferential skills

powerpoint presentation making inferences winston - Sep 18 2022

web making inferences inference an inference is an assumption that you make about something that you see read or

experience based on the information available to you and your prior knowledge not necessarily a correct guess but
making inferences with textual evidence denton isd - Jan 10 2022

web making inferences with textual evidence we make inferences all the time whether we realize it or not good readers make inferences while reading when we predict what will happen next or ask ourselves why character is behaving a certain way
making inferences worksheets and resources 3rd grade ela - Apr 25 2023

web check out our making inferences worksheets powerpoints activity cards posters and much more aimed at this part of third grade ela reading comprehension

making inferences ppt slideshare - Oct 19 2022

web nov 4 2015 making inferences 1 making inferences 2 inference a conclusion reached on the basis of evidence and reasoning for example i infer that there is a ghost in my house based on the evidence that i have seen objects moving on their own 3 inference a conclusion reached on the basis of evidence and reasoning for

making inferences youtube - Jun 15 2022

web mar 8 2009 third grade students from mr salsich s class jmsalsich edublogs org at deans mill school explain how to make inferences while reading